

SCREEN U.S.A.®

TRACK CONVEYORS



TRACK MOUNTED CONVEYORS

TC4030

- 30" width belt • 40' length
- 60x36 & 50x36 Models also available



SCREEN USA, INC.
1772 CORN RD
SMYRNA, GA 30080
770-433-2440
SCREENUSA.NET

SCREEN U.S.A.®

TC4030 (40' x 30")

ENGINE

- 24HP Perkins 403J Tier 4 Final diesel

FRAME

- Deep folded plate frame constructed with heavy duty cross bracing for strength and stability
- Hydraulic folding head section

IDLERS

- 35 degree CEMA B standard idlers
- Impact bed at feedpoint

UNDERCARRIAGE

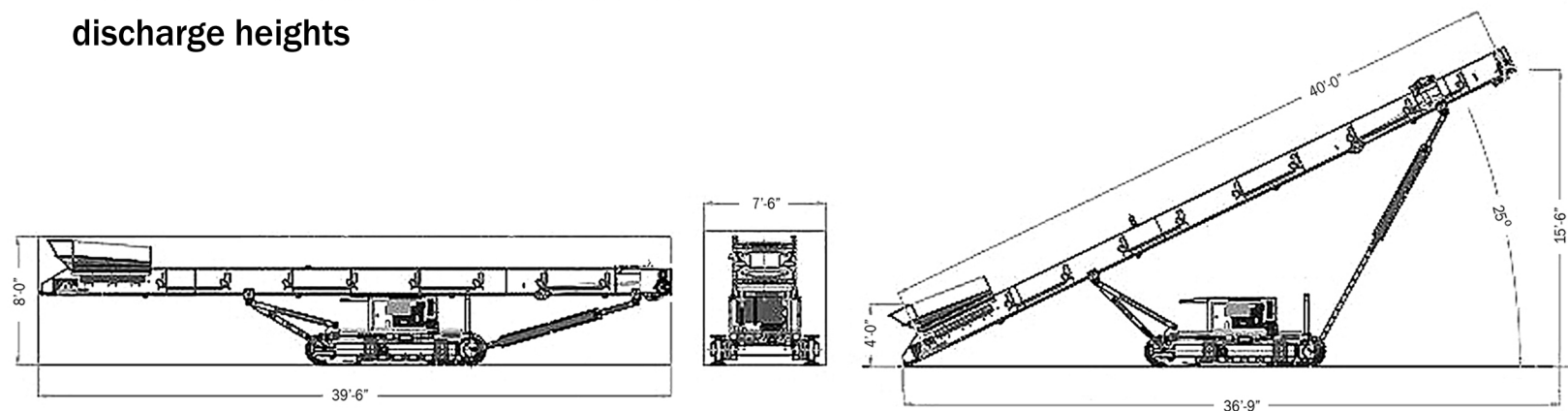
- 8' tracks with 16" shoes
- Umbilical cord remote control
- Hydraulic raise and lower
- Galvanized trestle with variable feed and discharge heights

BELT

- 3-ply vulcanized
- Chevron belt (Optional)
- Self adjusting polyurethane belt cleaner

OTHER

- Mesh under conveyor guarding to 5-1/2' from ground
- Side skirting 5-1/2' from ground
- All nip points guarded
- Remote greasing to all bearing from ground level
- Can ship in a 40' container
- Max discharge height of 15'-6"
- Max stockpiling capacity of 400 cu.yd.



770-433-2440 • screenusa.net • sales@screenusa.net